

TOPZERO®

BASEL TZ RS457

Seamless Edge Stainless Steel Sink

GENERAL

Fine quality sink bowls formed of 16 gauge BA 304 18/10 nickel bearing stainless steel.

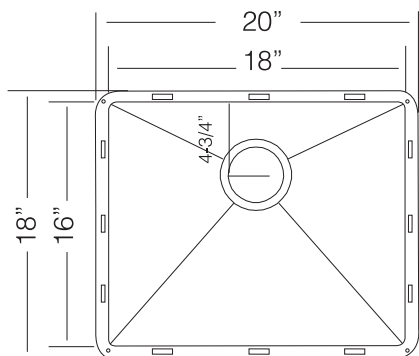
DESIGN FEATURES

Bowl Depth : 10"
Finish : Soft Satin Finish
Underside : Sound absorbing pads and special paint
Drain Opening : 3-1/2"
Corner Radius : R10 mm (3/8")

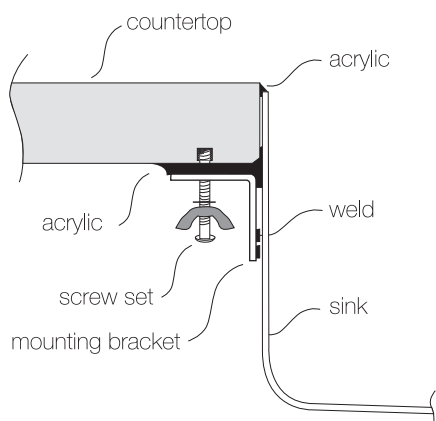
OPTIONAL ACCESSORIES

| | |
|-----------------------------|---------|
| Stainless Steel Bottom Grid | GRS 457 |
| Bamboo Cutting Board | CBS 90 |
| Glass Cutting Board | G 21.40 |
| Stainless Steel Drying Rack | DR 455 |
| Stainless Steel Colander | CL 406 |
| Stainless Steel Colander | CT 10 |

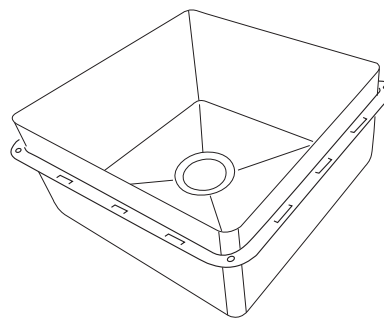
SINK DIMENSIONS (INCHES)



INSTALLATION PROFILE *



SPECIFICATIONS



Patented in USA and Canada; Foreign Patents Pending



Recommended Cabinet Size 24"

Watch the TopZero Sink
Installation video on [YouTube](#)

follow / like us @

