

TOPZERO®

PRAGUE TZ D265

Seamless Edge Stainless Steel Sink

GENERAL

Fine quality sink bowls formed of 18 gauge BA 304 18/10 nickel bearing stainless steel.

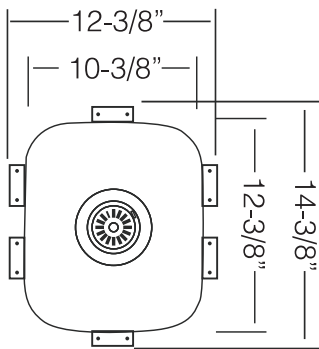
DESIGN FEATURES

Bowl Depth : 7"
Finish : Soft Satin Finish
Underside : Sound absorbing pads with special paint.
Drain Opening : 3-1/2"

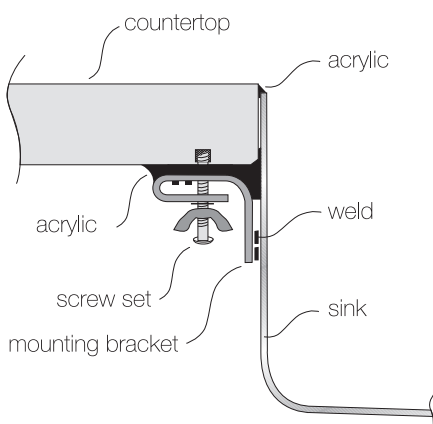
OPTIONAL ACCESSORIES

Stainless Steel Drying Rack DR 425

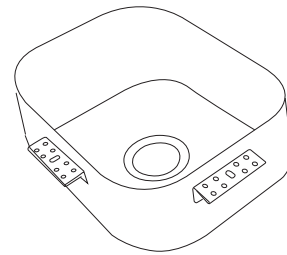
SINK DIMENSIONS (INCHES)



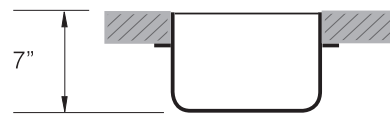
INSTALLATION PROFILE *



SPECIFICATIONS



Patented in USA and Canada; Foreign Patents Pending



Recommended Cabinet Size 15"

Watch the TopZero Sink
Installation video on [YouTube](#)

follow / like us @

