

TOPZERO®

LILLE TZ3 Z533

Seamless Edge Stainless Steel Sink

GENERAL

Fine quality sink bowls formed of 16 gauge BA 304 18/10 nickel bearing stainless steel.

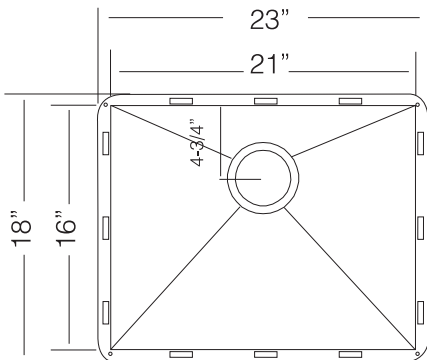
DESIGN FEATURES

Bowl Depth : 10"
Finish : Soft Satin Finish
Underside : Sound absorbing pads
and special paint
Drain Opening : 3-1/2"

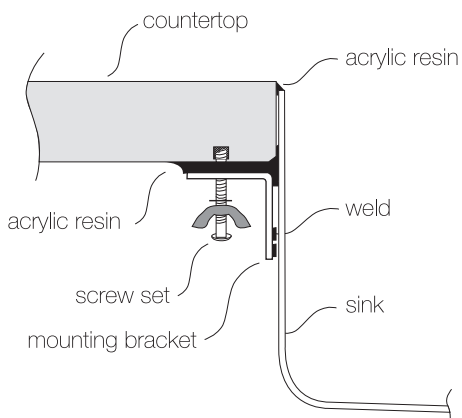
OPTIONAL ACCESSORIES

Stainless Steel Bottom Grid	GRS 550
Bamboo Cutting Board	CBS 90
Glass Cutting Board	G 21.40
Stainless Steel Drying Rack	DR 455
Stainless Steel Colander	CL 406
Stainless Steel Colander	CT 10

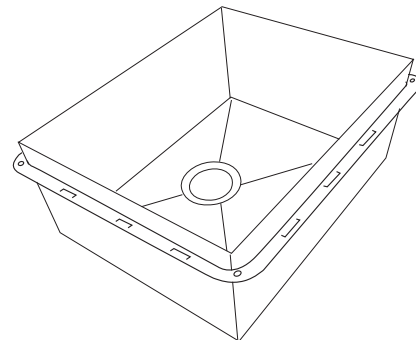
SINK DIMENSIONS (INCHES)



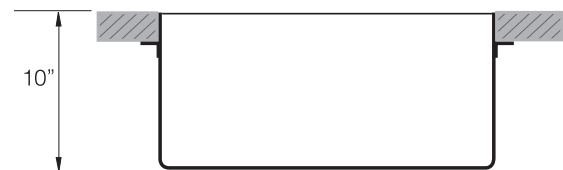
INSTALLATION PROFILE *



SPECIFICATIONS



Patented in USA; Foreign Patents Pending



Watch the TopZero Sink
Installation video on [YouTube](#)

follow / like us @

