

TOPZERO®

BARI TZ Z387.55

Seamless Edge Stainless Steel Sink

GENERAL

Fine quality sink bowls formed of 16 gauge BA 304 18/10 nickel bearing stainless steel.

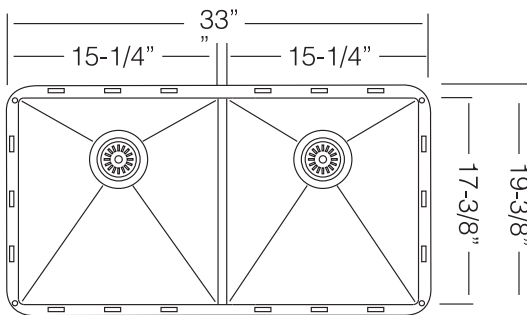
DESIGN FEATURES

Bowl Depth : 10"
Finish : Soft Satin Finish
Underside : Sound absorbing pads and special paint
Drain Opening : 3-1/2"
Corner Radius : R0

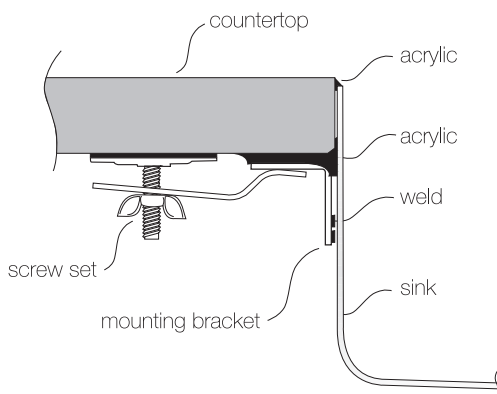
OPTIONAL ACCESSORIES

Stainless Steel Bottom Grid GRS 380 (2pcs)
Bamboo Cutting Board CBS 90
Glass Cutting Board G 21.40
Stainless Steel Drying Rack DR 455
Stainless Steel Colander CT 10

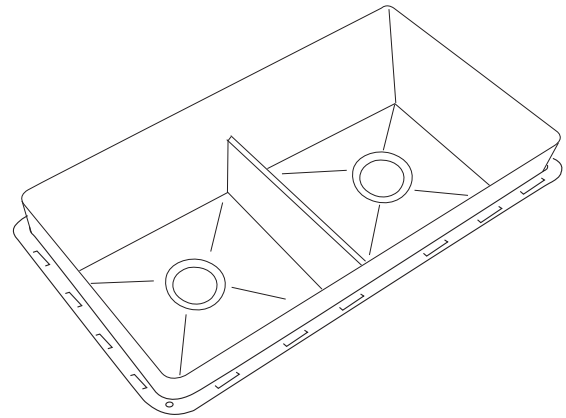
SINK DIMENSIONS (INCHES)



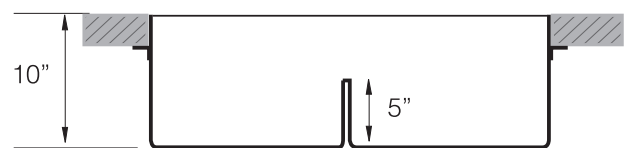
INSTALLATION PROFILE *



SPECIFICATIONS



Patented in USA and Canada; Foreign Patents Pending



Minimum Cabinet Size 36"

Watch the TopZero Sink
Installation video on [YouTube](#)

follow / like us @

