

TOPZERO®

BONN TZ XR815

Seamless Edge Stainless Steel Sink

SPECIFICATIONS

GENERAL

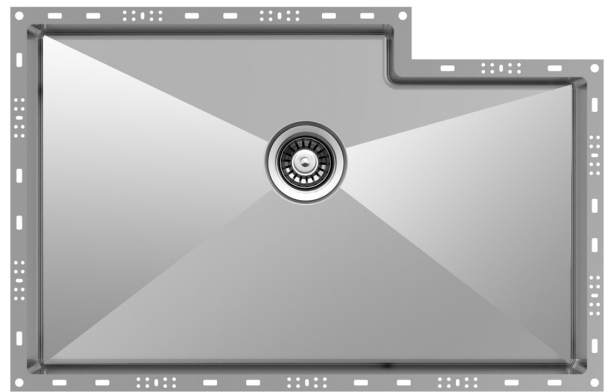
Fine quality sink bowls formed of 16 gauge BA 304 18/10 nickel bearing stainless steel.

DESIGN FEATURES

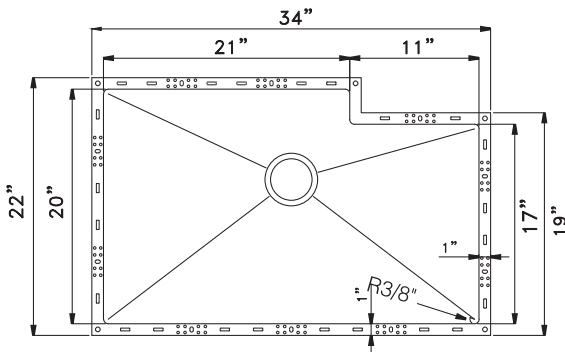
Bowl Depth : 10"
Finish : Soft Satin Finish
Underside : Sound absorbing pads and special paint
Drain Opening : 3-1/2"

OPTIONAL ACCESSORIES

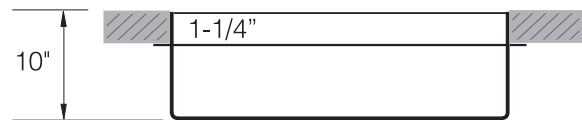
Stainless Steel Bottom Grid GRS 815
Wood Cutting Board CBS 49
Stainless Steel Drying Rack DR 495



SINK DIMENSIONS (INCHES)

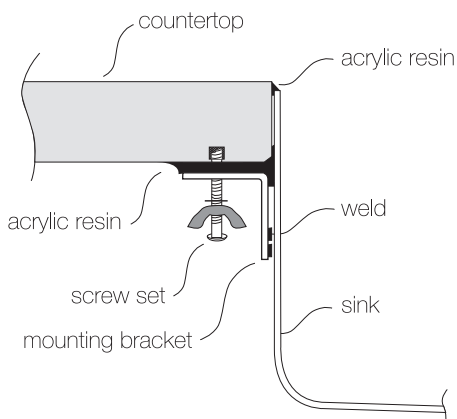


Patented in USA; Foreign Patents Pending



Recommended Cabinet Size 36"

INSTALLATION PROFILE *



Watch the TopZero Sink
Installation video on [YouTube](#)

follow / like us @

