

TOPZERO®

NEWPORT TZ WT1092

Seamless Edge Stainless Steel Sink

45" XX LARGE SINGLE BOWL DOUBLE TIER WORKSTATION SINK

GENERAL

Fine quality sink bowls formed of 16 gauge BA 304 18/10 nickel bearing stainless steel.

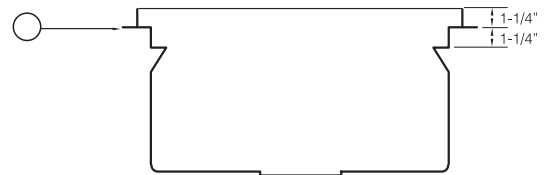
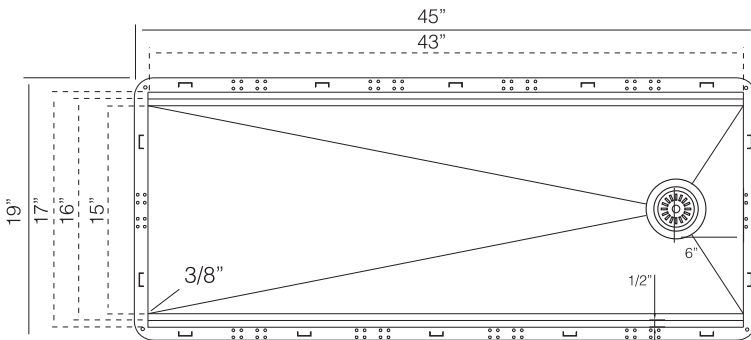
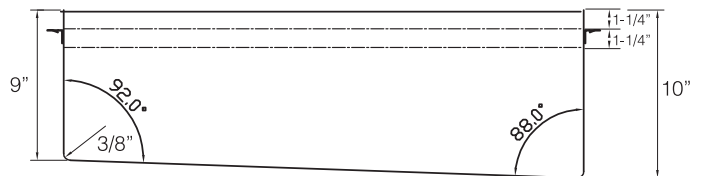
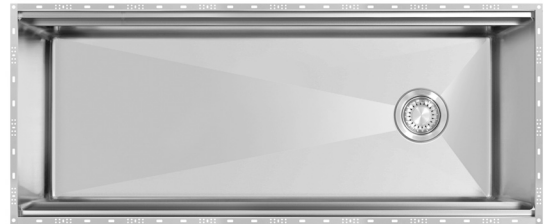
DESIGN FEATURES

- Bowl Depth : 10"
- Finish : Soft Satin Finish
- Underside : Sound absorbing pads and special paint
- Drain Opening : 3-1/2"
- Corner Radius : R10 mm (3/8")
- Min. Cabinet Size : 48"

INCLUDED ACCESSORIES:

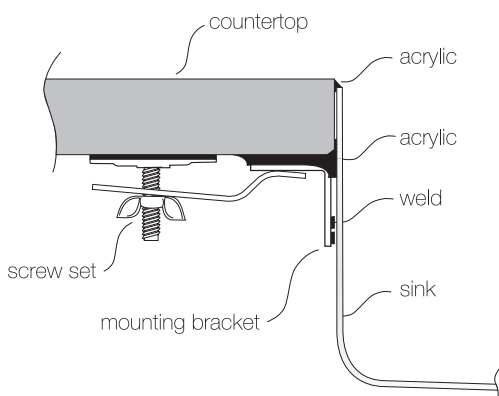
- | | |
|--|----------|
| St. Steel Grid | GRS 1092 |
| Wood Cutting Board | CBS 90 |
| Wood Cutting Board | CBS 91XL |
| Hardwood Board with St. Steel Colander | CC 91 XL |
| Rolling Drying Rack | DR 425 |
| Colender | CM 30 |

SPECIFICATIONS



Minimum Cabinet Size 48"

INSTALLATION PROFILE *



Watch the TopZero Sink
Installation video on [YouTube](#)

follow / like us @



SPCWT1092 TZ rev01