

TOPZERO®

BERN TZ RS816

Seamless Edge Stainless Steel Sink

GENERAL

Fine quality sink bowls formed of 16 gauge BA 304 18/10 nickel bearing stainless steel.

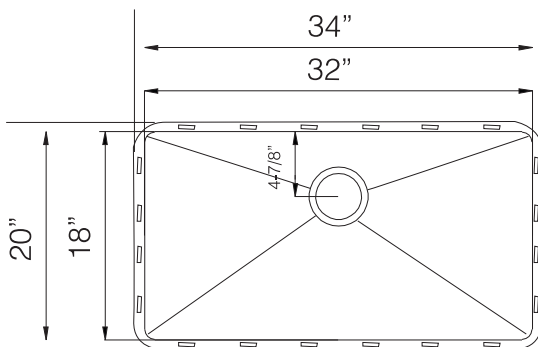
DESIGN FEATURES

Bowl Depth : 10"
Finish : Soft Satin Finish
Underside : Sound absorbing pads
and special paint
Drain Opening : 3-1/2"
Corner Radius : R10 mm (3/8")

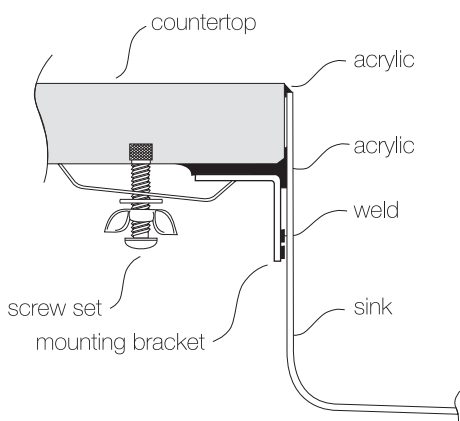
OPTIONAL ACCESSORIES

Stainless Steel Bottom Grid GRS 814
Wood Cutting Board CBS 49
Stainless Steel Drying Rack DR 495

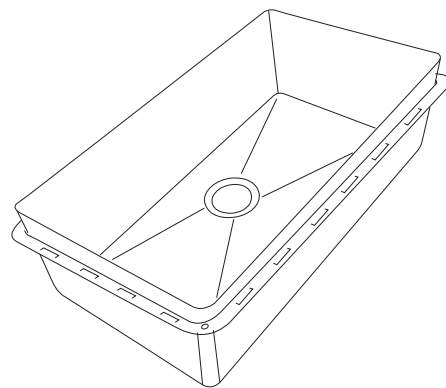
SINK DIMENSIONS (INCHES)



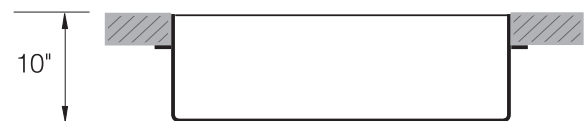
INSTALLATION PROFILE *



SPECIFICATIONS



Patented in USA and Canada; Foreign Patents Pending



Minimum Cabinet Size 36"

Watch the TopZero Sink
Installation video on [YouTube](#)

follow / like us @ [f](#) [t](#) [You Tube](#) [p](#) [i](#) [houzz](#)