

TOPZERO®

ESSEN TZ R746

Seamless Edge Stainless Steel Sink

GENERAL

Fine quality sink bowls formed of 18 gauge BA 304 18/10 nickel bearing stainless steel.

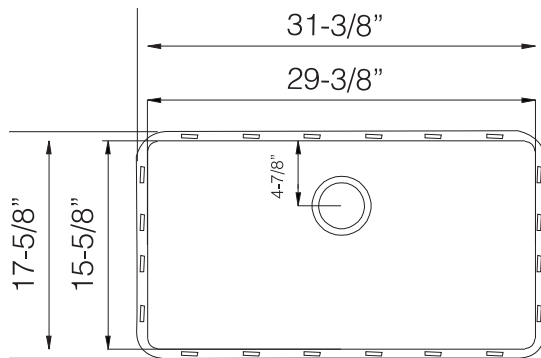
DESIGN FEATURES

Bowl Depth : 10"
Finish : Soft Satin Finish
Underside : Sound absorbing pads with special paint
Drain Opening : 3-1/2"
Corner Radius : R20 mm (3/4")

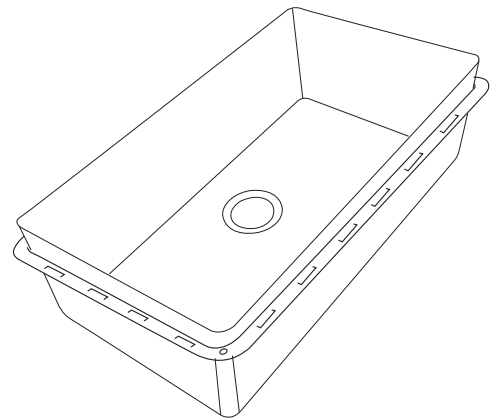
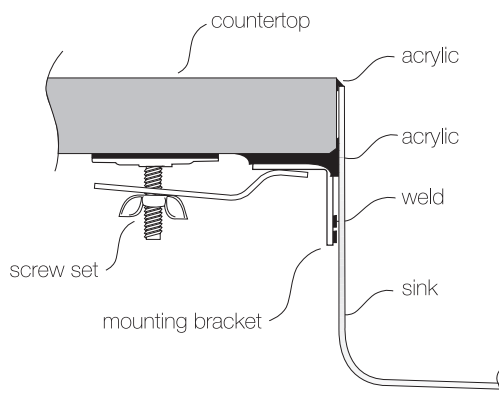
OPTIONAL ACCESSORIES

Stainless Steel Bottom Grid GR 745
Bamboo Cutting Board CB 10
Glass Cutting Board G 21.40
Stainless Steel Drying Rack DR 455
Stainless Steel Colander CL 406
Stainless Steel Colander CT 10

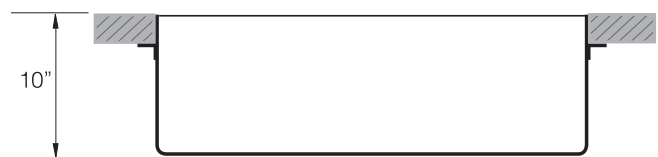
SINK DIMENSIONS (INCHES)



INSTALLATION PROFILE *



Patented in USA and Canada; Foreign Patents Pending



Minimum Cabinet Size 36"

Watch the TopZero Sink
Installation video on [YouTube](#)

follow / like us @

