

TOPZERO®

CATANIA TZ M444.55

Seamless Edge Stainless Steel Sink

GENERAL

Fine quality sink bowls formed of 16 gauge BA 304 18/10 nickel bearing stainless steel.

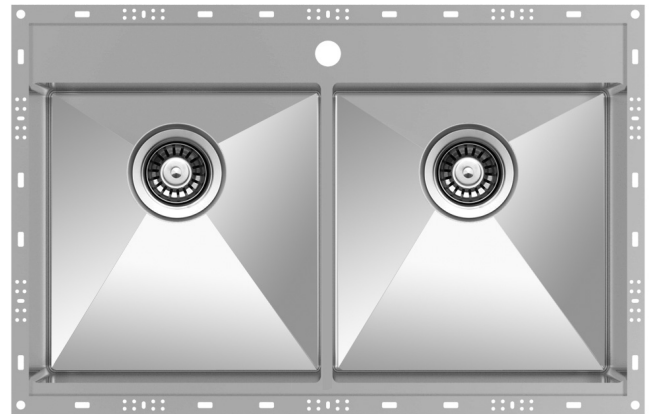
DESIGN FEATURES

Bowl Depth : 10"
Finish : Soft Satin Finish
Underside : Sound absorbing pads and special paint
Drain Opening : 3-1/2"

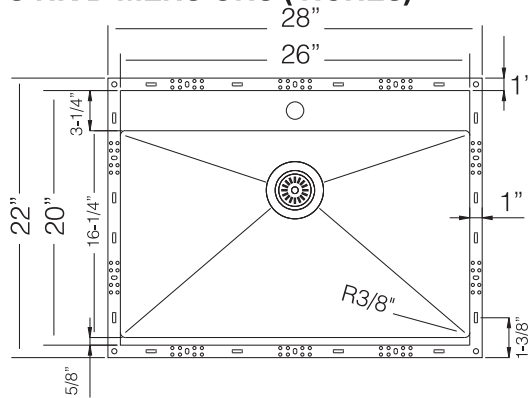
OPTIONAL ACCESSORIES

Stainless Steel Bottom Grid GRS 432 M
Wood Cutting Board CBS 44
Stainless Steel Drying Rack DR 495

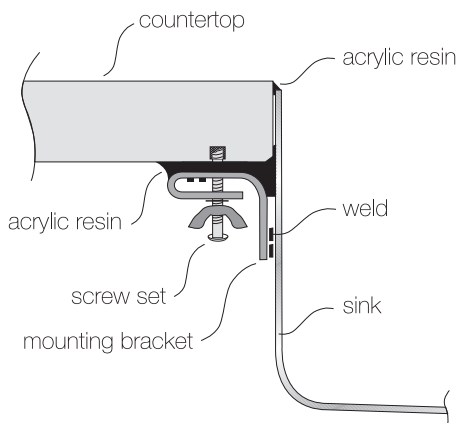
SPECIFICATIONS



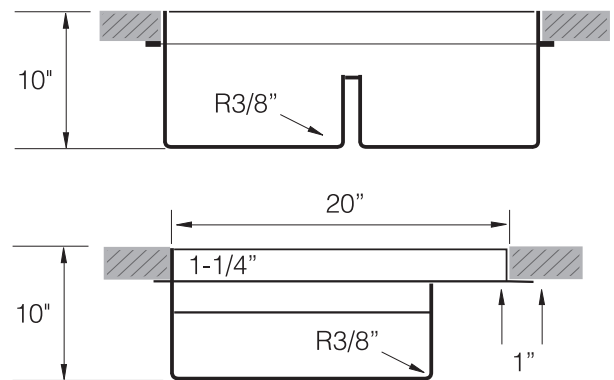
SINK DIMENSIONS (INCHES)



INSTALLATION PROFILE *



"U.S. and Foreign Patents Pending"



Recommended Cabinet Size 42"

Watch the TopZero Sink
Installation video on [YouTube](#)

follow / like us @

