

TOPZERO®

SEVILLE TZ M662

Seamless Edge Stainless Steel Sink

GENERAL

Fine quality sink bowls formed of 16 gauge BA 304 18/10 nickel bearing stainless steel.

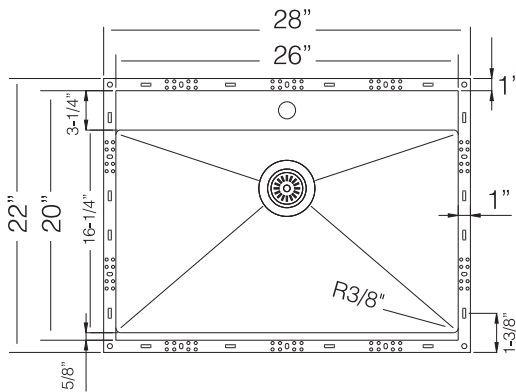
DESIGN FEATURES

- Bowl Depth : 10"
- Finish : Soft Satin Finish
- Underside : Sound absorbing pads and special paint
- Drain Opening : 3-1/2"
- Corner Radius : R10 mm (3/8")

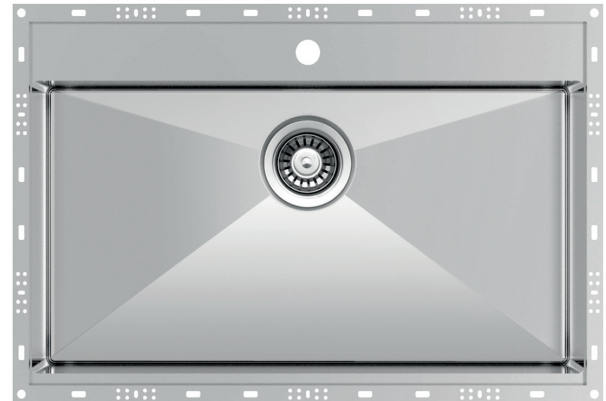
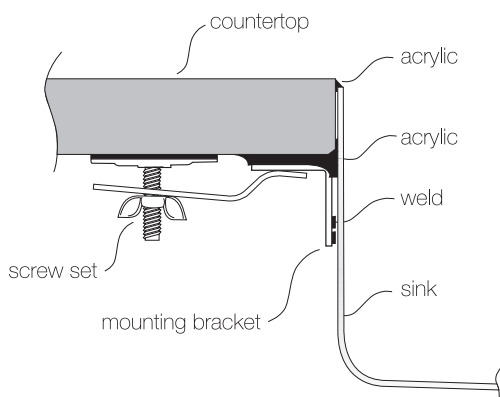
OPTIONAL ACCESSORIES

- Stainless Steel Bottom Grid GRS 660
- Wood Cutting Board CBS 44
- Stainless Steel Drying Rack DR 495

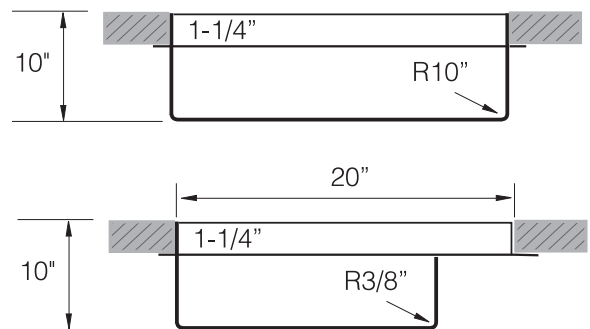
SINK DIMENSIONS (INCHES)



INSTALLATION PROFILE *



Patented in USA and Canada; Foreign Patents Pending



Minimum Cabinet Size 36"

Watch the TopZero Sink
Installation video on [YouTube](#)

follow / like us @



SPCM662TZ rev01