

# TOPZERO®

## GENEVA TZ C608

Seamless Edge Stainless Steel Sink

### GENERAL

Fine quality sink bowls formed of 18 gauge BA 304 18/10 nickel bearing stainless steel.

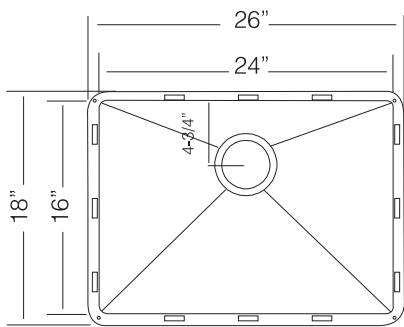
### DESIGN FEATURES

Bowl Depth : 10"  
Finish : Soft Satin Finish  
Underside : Sound absorbing pads and special paint  
Drain Opening : 3-1/2"  
Corner Radius : R10 mm (3/8")

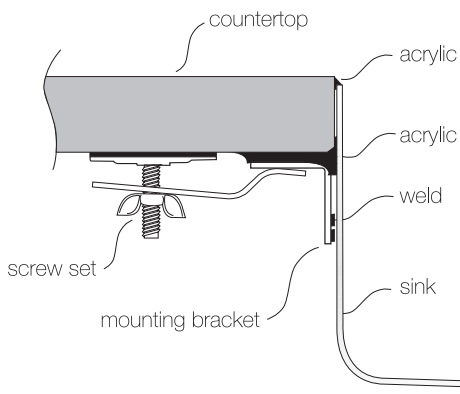
### OPTIONAL ACCESSORIES

Stainless Steel Bottom Grid	GR 550
Bamboo Cutting Board	CBS 90
Glass Cutting Board	G 21.40
Stainless Steel Drying Rack	DR 455
Stainless Steel Colander	CL 406
Stainless Steel Colander	CT 10

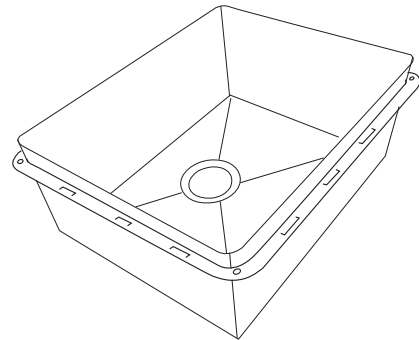
### SINK DIMENSIONS (INCHES)



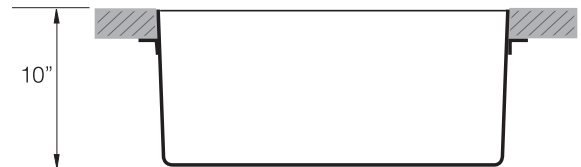
### INSTALLATION PROFILE \*



## SPECIFICATIONS



Patented in USA and Canada; Foreign Patents Pending



Minimum Cabinet Size 30"

Watch the TopZero Sink  
Installation video on [YouTube](#)

follow / like us @

