

TOPZERO®

GENEVA ADA TZ C608 ADA

Seamless Edge Stainless Steel Sink



SPECIFICATIONS

GENERAL

Fine quality sink bowls formed of 18 gauge BA 304 18/10 nickel bearing stainless steel.

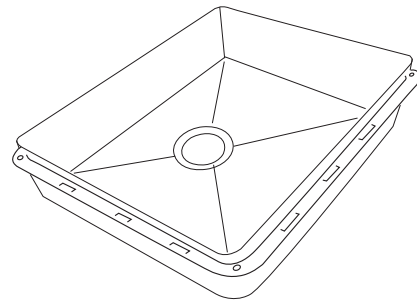
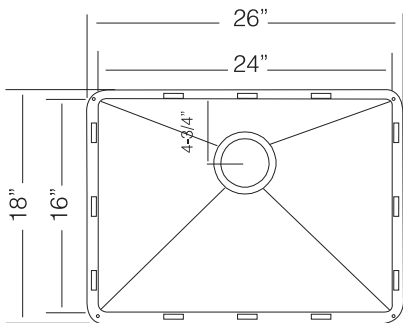
DESIGN FEATURES

- Bowl Depth : 5"
- Finish : Soft Satin Finish
- Underside : Sound absorbing pads and special paint
- Drain Opening : 3-1/2"
- Corner Radius : R10 mm (3/8")

OPTIONAL ACCESSORIES

- Stainless Steel Bottom Grid GR 550
- Bamboo Cutting Board CBS 90
- Glass Cutting Board G 21.40
- Stainless Steel Drying Rack DR 455
- Stainless Steel Colander CT 10

SINK DIMENSIONS (INCHES)

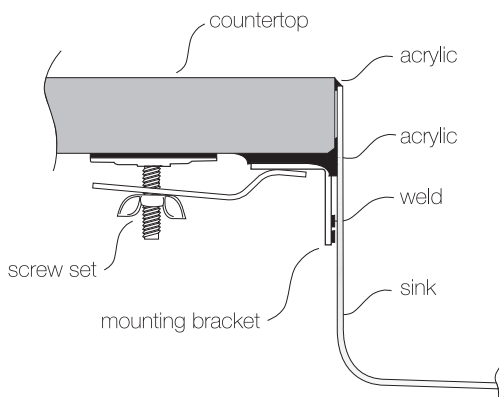


Patented in USA and Canada; Foreign Patents Pending



Minimum Cabinet Size 30"

INSTALLATION PROFILE *



Watch the TopZero Sink
Installation video on [YouTube](#)

follow / like us @

