

# TOPZERO®

## PARMA TZ RS711

Seamless Edge Stainless Steel Sink

### GENERAL

Fine quality sink bowls formed of 16 gauge BA 304 18/10 nickel bearing stainless steel.

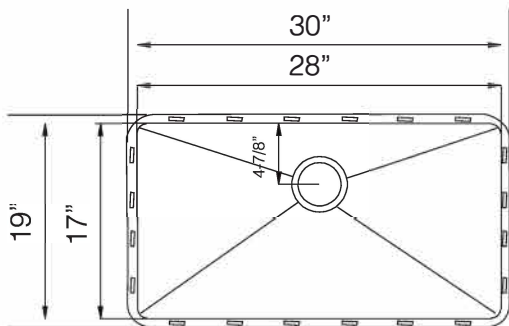
### DESIGN FEATURES

Bowl Depth : 10"  
Finish : Soft Satin Finish  
Underside : Sound absorbing pads  
and special paint  
Drain Opening : 3-1/2"  
Corner Radius : R10 mm (3/8")

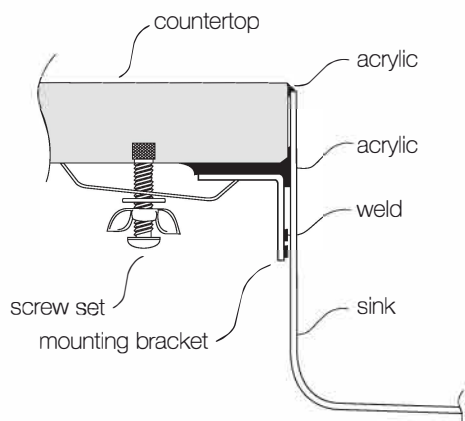
### OPTIONAL ACCESSORIES

Stainless Steel Bottom Grid GRS 711  
Bamboo Cutting Board CBS 63  
Stainless Steel Drying Rack DR 505  
Stainless Steel Colander CL17

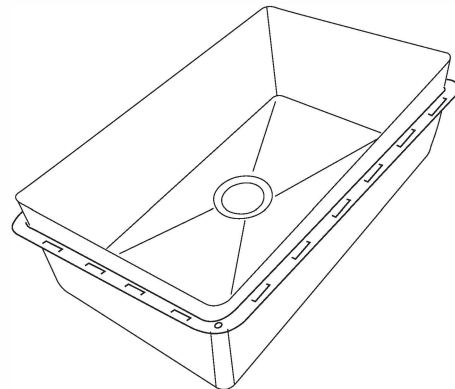
### SINK DIMENSIONS (INCHES)



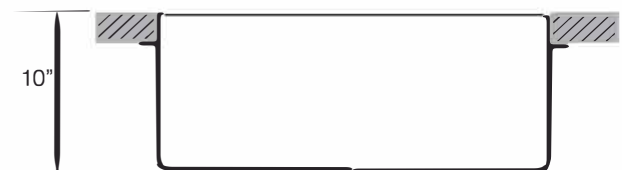
### INSTALLATION PROFILE \*



## SPECIFICATIONS



Patented in USA and Canada; Foreign Patents Pending



Minimum Cabinet Size 33"

Watch the TopZero Sink  
Installation video on [YouTube](#)

follow / like us @ [f](#) [t](#) [YouTube](#) [p](#) [i](#) [houzz](#)