

TOPZERO®

DRESDEN TZ DN560

Seamless Edge Stainless Steel
Utility / Laundry Sink

GENERAL

Fine quality sink bowls formed of 18 gauge
BA 304 18/10 nickel bearing stainless steel.

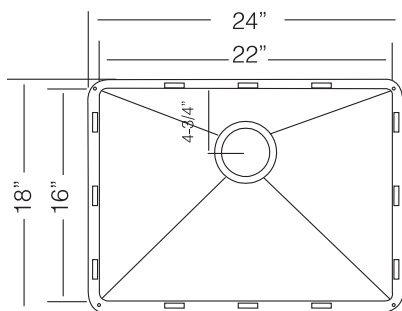
DESIGN FEATURES

Bowl Depth : 12"
Finish : Soft Satin Finish
Underside : Sound absorbing pads
and special paint
Drain Opening : 3-1/2"
Corner Radius : R10 mm (3/8")

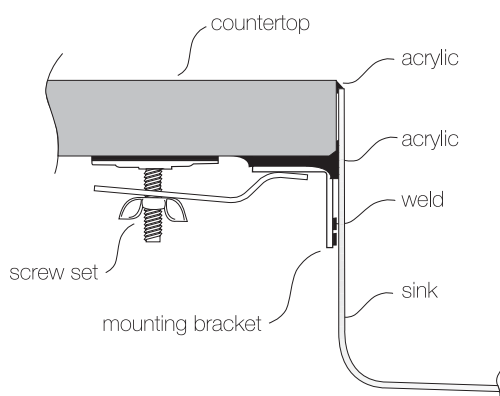
OPTIONAL ACCESSORIES

Stainless Steel Bottom Grid GR 550
Stainless Steel Drying Rack DR 455
Stainless Steel Colander CT 10

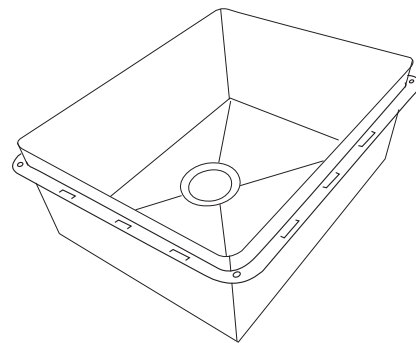
SINK DIMENSIONS (INCHES)



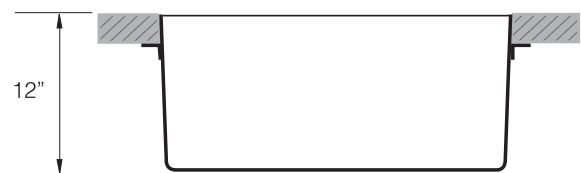
INSTALLATION PROFILE *



SPECIFICATIONS



Patented in USA and Canada; Foreign Patents Pending



Minimum Cabinet Size 27"

Watch the TopZero Sink
Installation video on [YouTube](#)

follow / like us @



SPCC608TZ rev01