

TOPZERO®

MILAN TZ S773

Seamless Edge Stainless Steel Sink

GENERAL

Fine quality sink bowls formed of 18 gauge BA 304 18/10 nickel bearing stainless steel.

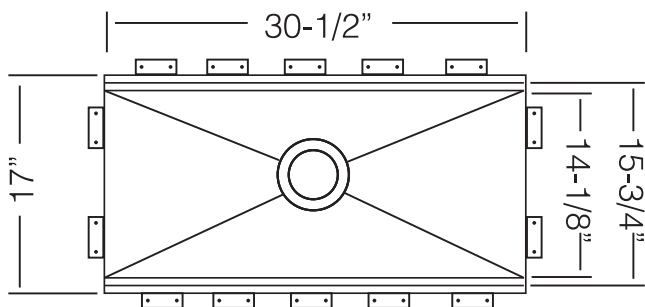
DESIGN FEATURES

Bowl Depth : 10"
Finish : Soft Satin Finish
Underside : Sound absorbing pads and special paint
Drain Opening : 3-1/2"

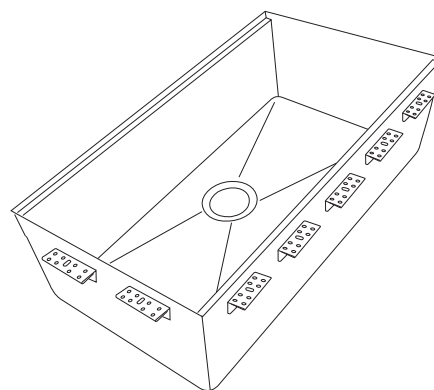
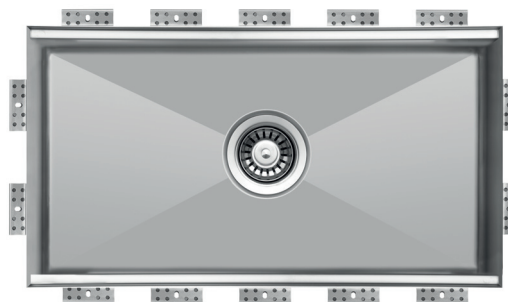
ACCESSORIES

Stainless Steel Bottom Grid (Optional)
Bamboo Cutting Board (included)
Glass Cutting Board (Optional)
Stainless Steel Colander (Optional)

SINK DIMENSIONS (INCHES)



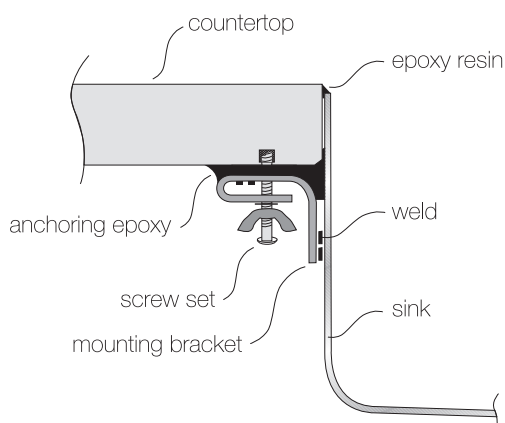
SPECIFICATIONS



"U.S. and Foreign Patents Pending"



INSTALLATION PROFILE *



Watch the TopZero Sink
Installation video on [YouTube](#)



follow / like us @

