

TOPZERO®

VENICE TZ L360.55

Seamless Edge Stainless Steel Sink

GENERAL

Fine quality sink bowls formed of 18 gauge BA 304 18/10 nickel bearing stainless steel.

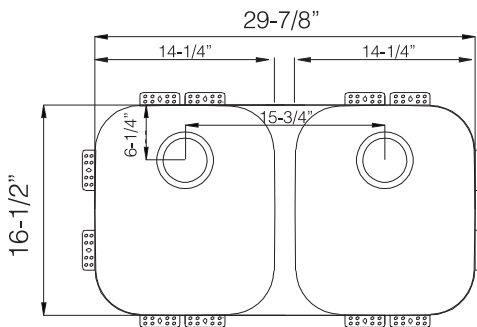
DESIGN FEATURES

Bowl Depth : 9"
Finish : Soft Satin Finish
Underside : Aluminum Coated Premium Sound Absorbing Pads
Drain Opening : 3-1/2"

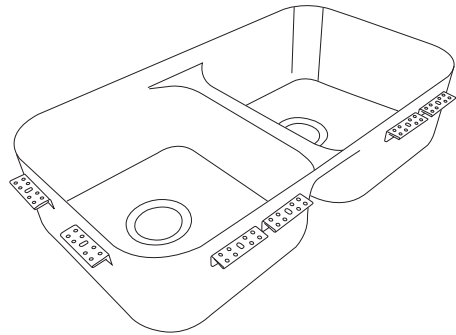
OPTIONAL ACCESSORIES

Stainless Steel Bottom Grid
Bamboo Cutting Board
Glass Cutting Board
Stainless Steel Drying Rack

SINK DIMENSIONS (INCHES)



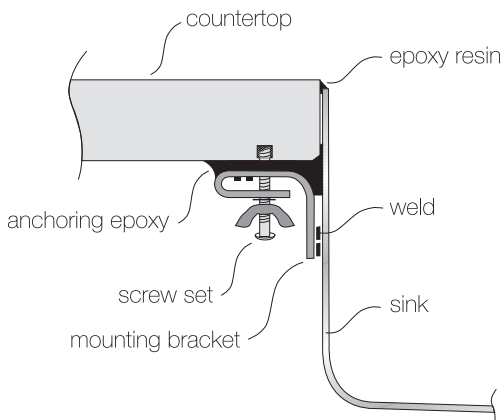
SPECIFICATIONS



"U.S. and Foreign Patents Pending"



INSTALLATION PROFILE *



Watch the TopZero Sink
Installation video on [YouTube](#)

follow / like us @

